



MV40 Series

High-speed 1D Fixed Barcode Scanner

The MV40 series is a high-speed one-dimensional barcode reader in the infoscan product line designed for the IVD (In Vitro Diagnostics) field. The MV40 features a high-speed acquisition capability of 800 scans per second, good depth of field for reading, and meets the requirements for mid to long-range scanning. It offers models for forward scanning (MV40) and side scanning (MV40S). Suitable for various scenarios such as tube rotation scanning, rack (multi-row) movement scanning, and turntable (multi-loop) scanning.

Product Features

■ High-speed acquisition rate and motion adaptability

An acquisition rate of 800 scans per second meets the high-speed rotation requirements in the IVD industry.
High-speed reading of tube rack barcodes.
High-speed turntable application.

■ Low power and wide voltage

Support for 5-24VDC power supply.

■ Optimized decoding algorithm for reading one-dimensional barcodes on test tubes

Optimized algorithm for poor-quality barcodes such as reflective, high-density, damaged, low-contrast, ensuring high decoding accuracy.

■ Mid to long-range code reading

Adaptable to multiple rows of test tube racks or dual-ring rotating disc code reading scenarios.

Application Scenarios



Technical Specifications

Sensor Type	2000 CCD
Scan Speed	800 times/s
Scanning Direction	MV40 : Front light output MV40S: Side light output
Field of View Angle	60°(horizontal)
Trigger Mode	Command trigger; I/O trigger; Continuous reading mode
Illumination	Whitelight
Communication Interface	USB keyboard port, USB emulated serial port, Serial port
Power Supply Method	5-24VDC / USB Power
Power Consumption	Standby: 2.6 w; Operational: 3.2 w (Note: Under 24VDC operating condition)
Number of Input Signals	1
Type of Input Signal	NPN or PNP
Effective Voltage of Input Signal	NPN: $\leq 16\text{VDC}$, PNP: $\geq 5\text{VDC}$ (Max : 24VDC)
Number of Output Signals	2
Type of Output Signals	Voltage signal
Output Load Capacity	Maximum: 100mA@24VDC
Shell Material	Aluminum alloy

Weight	135g (excluding cables)
Dimensions (L×W×H)	MV40: 62.0mmx48.6mmx23.8mm MV40S:62.0mmx48.6mmx23.7mm
Operating Temperature	0 ~ 50°C
Storage Temperature	-40 ~ 70°C
Relative Humidity	5~85% non-condensing
IP Rating	IP54
Drop Resistance	Can withstand multiple impacts from a 1.2-meter height dropped onto a cement floor
Certifications	CE,RoHS, etc.
Readable Barcode Types	Codabar, Code39, Code93, Interleaved2of5, Straight2of5Industrial, Straight2of5IATA, Matrix2of5, Code11, Code128, GS1-128, UPC-A, UPC-E, EAN/JAN-8, EAN/JAN-13, MSI, GS1DataBarOmnidirectional, GS1DataBarLimited, GS1DataBarExpanded, ChinaPost(HongKong2of5)etc.
Highest Reading Accuracy	6mil
Typical Reading Distance (6mil Code 128)	MV40 : 40-240 mm MV40S : 35-250 mm

Standard Model Configuration

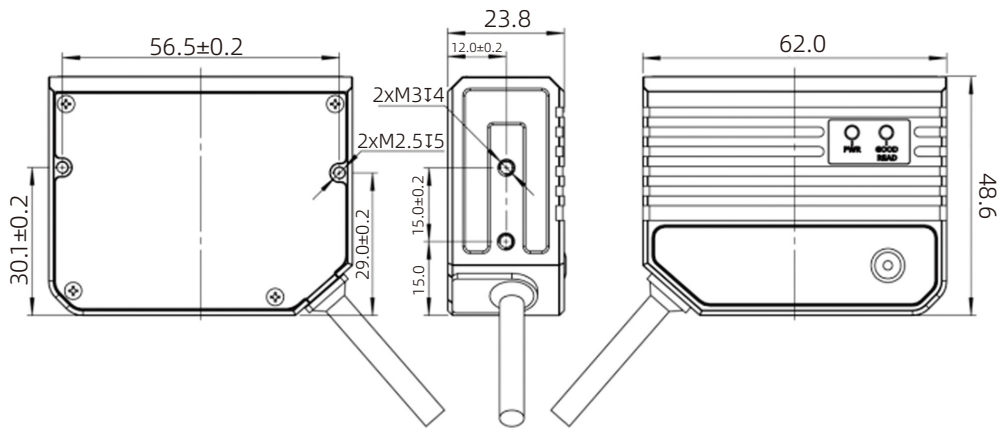
MV40 Series

Specifications and Models	Sensor Types	Scanning Methods	Light Source Type	Description
MV40-1100	CCD	Front light output	White light	MV40 high-speed CCD front scan white light illumination model
MV40S-1100	CCD	Side light output	White light	MV40S high-speed CCD side scan white light illumination model

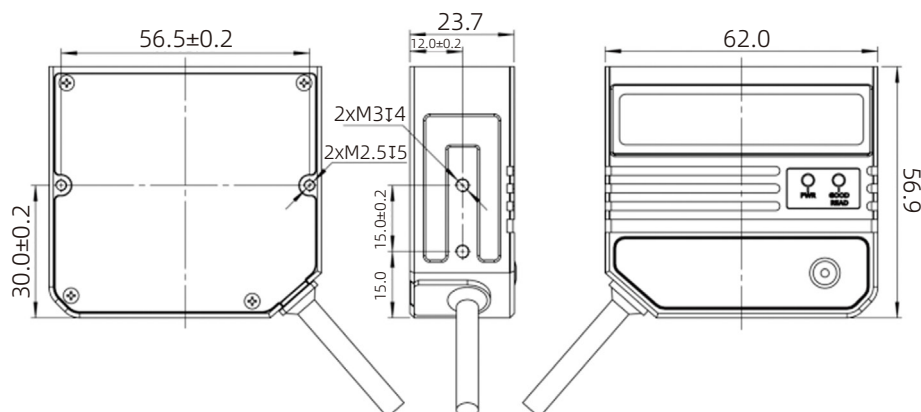
Dimensions

Unit: (mm)

MV40 (Front light output)



MV40S (Side light output)



Any change of the information in this document may not be with prior notice; even the content of this document has been carefully checked to ensure accuracy, there may still be some errors. The data involved in this document may differ due to environmental factors, Bilin Intelligence does not bear any consequences arising from this.



NANJING BILIN INTELLIGENT IDENTIFICATION TECHNOLOGY CO., LTD.

www.infoscan-cn.com

infoscan

ver: 20240529